



RADIUS



RAMMUSTM

Thank you for choosing to add a SilencerCo® Weapons Research item to your collection. We love what we do and take great pride in the products we produce, and hope you will enjoy using this product as much as we enjoyed making it.

Each SWR product carries our Lifetime Warranty. Should you have any questions after reading this manual, our best-in-class customer service team will be glad to assist you.

So go out and enjoy your new rangefinder (after reading the manual, of course), and thank you for choosing SWR.

Sincerely,




Joshua Waldron

SWR CEO & Co-Founder



If you have any questions about whether you are performing the installation, removal, operation, or cleaning of the rangefinder properly and in accordance with these instructions, you may contact SWR customer service by phone at **801-417-5384** or via email at **info@silencerco.com** For a list of SWR products visit **beyondhuman.com**

© 2015 SilencerCo, LLC. All rights reserved.
The contents of this publication may not be reproduced in any form or by any means in whole or in part without the prior written permission of the copyright owner.



The Radius is the first product offering from SWR, and has seamlessly integrated target ranging into the shooting process. Now you can check a target's range accurately without ever having to come off the gun. Never before has a rail-mounted rangefinder been offered in such a versatile, durable, affordable, and compact package.

NOTICE OF RESTRICTIONS: Before using the Radius for hunting, consult local regulations and ensure that the use of electronic hunting devices is allowed in your area.

TABLE OF CONTENTS



ABOUT

- 5 ▷ CONTENTS
- 6 ▷ KEY FEATURES
- 7-8 ▷ BUTTON GUIDE

CARE

- 9-10 ▷ CHANGING BATTERIES
- 11 ▷ CLEANING THE LENS/ADVERSE CONDITIONS
- 12 ▷ LASER PRECAUTIONS

MOUNTING

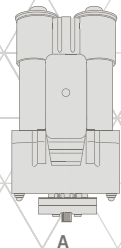
- 13-14 ▷ SELECT MOUNTING POINT
- 15-16 ▷ ATTACH TO MOUNTING POINT

USING THE RADIUS

- 17-18 ▷ SETTING UP REMOTE PRESSURE PAD
- 19-22 ▷ ZEROING RADIUS
- 23-24 ▷ ACQUIRING RANGE READING

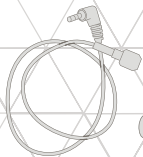
WARRANTY

- 25-26 ▷ REPAIR AND REPLACEMENT
- 27 ▷ LIMITED LIFETIME WARRANTY
- 28 ▷ DISCLAIMER



A

A RADIUS



B

B REMOTE RANGE PAD AND CORD



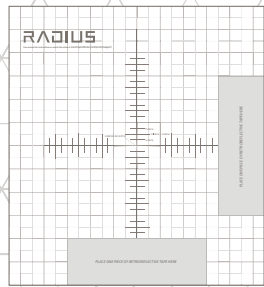
C

C TWO CR123A LITHIUM ION BATTERIES



D

D VELCRO® STYLE LOOP PATCHES



E

E ZEROING TARGET AND RETROREFLECTIVE TAPE



F

F RETROREFLECTIVE DOT STICKER



G

G LASER BLOCK

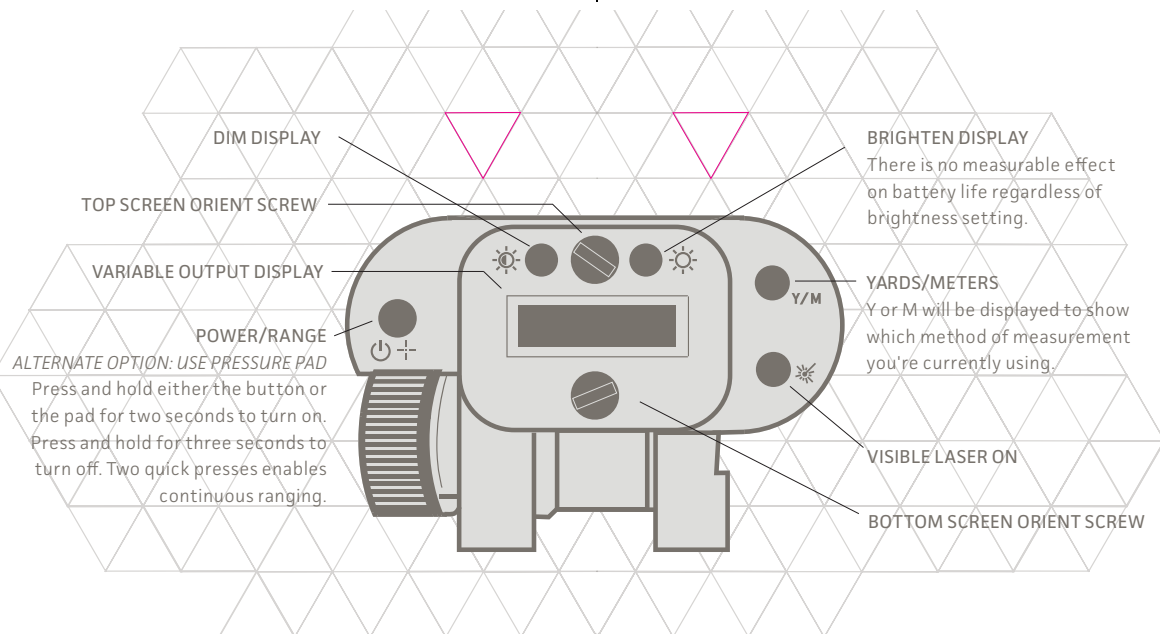


KEY FEATURES

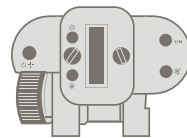
- ▷ General Range: 20 Yards–1,760 Yards (At Dusk/Dawn on Reflective Target)
- ▷ Maximum Range: 3,200 Yards
- ▷ Beam Divergence: 0.5 mrad x 1.85 mrad
- ▷ Continuous Ranging for Up to 12 Hours
- ▷ Operational Temperature Range: -20°F to 120°F
- ▷ Durable and High-Impact Resistant Housing
- ▷ Compatible with All Picatinny MIL-STD-1913 Rails
- ▷ Waterproof IP67 Rating
- ▷ User-Configurable Display Orientation
- ▷ Three Range Readings—Primary (Strongest) and Two Secondary Readings
- ▷ EasyZero Instructions Included Using Parallel Mounted Visible Laser
- ▷ Weight: 18.2 oz (Includes Batteries)
- ▷ Length: 5.80" x Width: 2.96" x Height: 2.30"

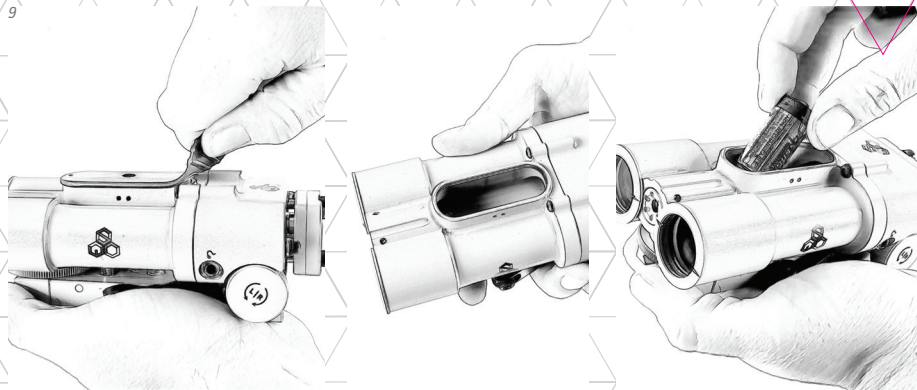
NOTE: SWR recommends periodically checking the tightness of any attachment hardware, as there is the possibility of loosening over a period of extended use.

WARNING: Do not use the unit without the display in place. When the display is removed, the housing remains sealed, but the electrical contacts are exposed. When the display is in place, these contacts are water sealed and protected.



TO ORIENT THE SCREEN: With the Radius powered off, loosen the two screws; no tools are required. Rotate the display to desired orientation; parallel to the ground is recommended. Push display firmly into display recess on unit; display should seat securely without excessive force. Finish by hand tightening the screws.





CHANGE BATTERIES

Pull up on the tab of the battery compartment cover on the top of the unit. Follow icon guides inside battery compartment for proper battery seating; positive sides of batteries will face toward the shooter. To insert the second battery, push the battery up against the spring then seat it against the first battery.

NOTE: The battery compartment is completely separate from the main unit. If water gets into the battery compartment, the main housing unit will be protected. The battery compartment seal is IP67 compliant and submersible up to one meter.

Once the unit is successfully powered on, the unit will begin ranging immediately. The Radius will turn off automatically after 30 minutes without use. Radius uses two CR123A lithium ion batteries, which are provided with the unit. Rechargeable batteries can also be used.

NOTE: If there is not enough battery power remaining to power the unit, an SWR logo and an empty battery symbol will appear on the screen.

CLEANING THE LENS / ADVERSE CONDITIONS



Lightly brush off dirt and debris from the Radius housing using a soft, damp cloth. To clean the lenses, use a lens brush. For any debris that cannot be lightly brushed away from the lenses, use a cotton swab with ethanol to gently wipe the lens surface. The battery contact surfaces can also be cleaned using an ethanol-dampened cotton swab.

Adverse conditions such as dust, fog, rain, snow, excessive sun, and condensation due to drastic temperature change can negatively affect the accuracy of range measurements.

LASER PRECAUTIONS



The visible laser is intended to be used as an aid in aligning the Radius to the host. To turn the visible laser on, press the bottom right button on the face of the unit. A single press of the button will turn the laser on and off.

NOTE: The Radius utilizes a Class 3R Laser, which is eye safe.

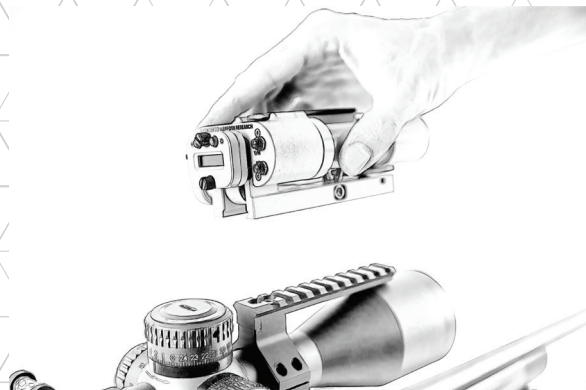
NOTE: VIS icon will be shown on the display when the visible laser is in use

Even though the laser is eye safe, users should take the following safety measures into consideration:

- ▷ Do not shine the laser into eyes
- ▷ Keep the Radius out of reach of children
- ▷ Do not attempt to disassemble the Radius more than is necessary to change the batteries
- ▷ Do not use a power source other than CR123 batteries

⚠ CAUTION! CLASS 3 LASER PRODUCT
DO NOT STARE INTO BEAM OR VIEW DIRECTLY WITH
OPTICAL INSTRUMENTS / VISIBLE AND INVISIBLE LASER EMISSIONS
650nm CW <5mW, 905nm PULSED <5mJ

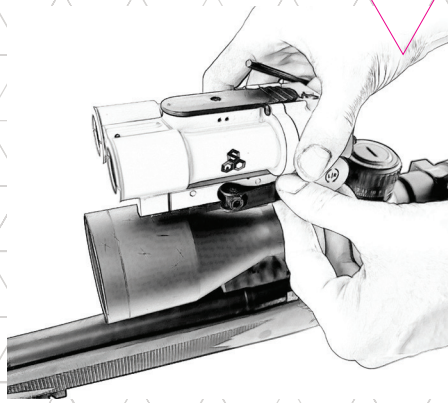
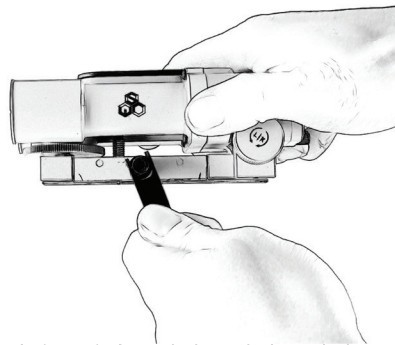




SELECT MOUNTING POINT

The Radius is compatible with Picatinny MIL-STD-1913 rails. Before installing your Radius, decide which side of the rail you will mount it on — left, right, or top. SWR recommends the right or left side rail, or on top of the scope so as to avoid possible optic interference.

Once you have chosen a location, orient the display so it is right-side-up, e.g. parallel to the ground.



ATTACH TO MOUNTING POINT

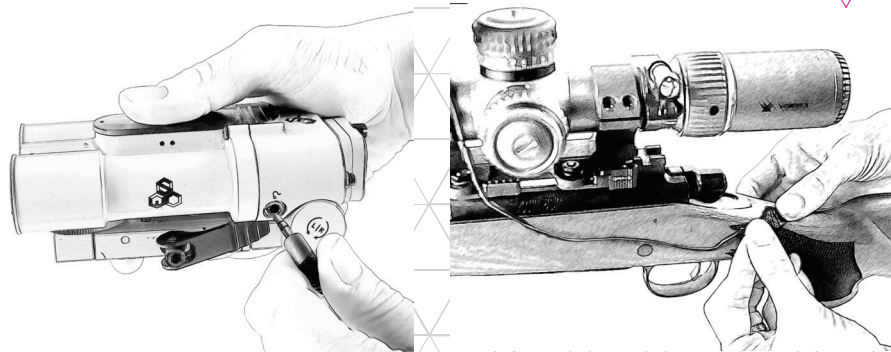
Once your display is oriented properly based upon the rail side chosen, decide the exact location to mount the unit on the rail. SWR recommends mounting the unit out of the way of potential hand placement and in an ergonomically-beneficial position.

TIP: The unit should be positioned so that when you look through your scope, the display is visible without having to adjust your head placement. The further forward the unit is mounted, the better overall balance you will experience.

Lift the throw lever into the open position, then seat the unit over the rail (Radius is compatible with any Picatinny MIL-STD-1913 rail).

Once the unit is in the proper rail location, clamp the throw lever into the secured position, then tighten the screws as needed.

NOTE: Since tolerances can vary with rails, the screws are intended to act as an additional securing measure. There should be no play between unit and rail when mounted properly.



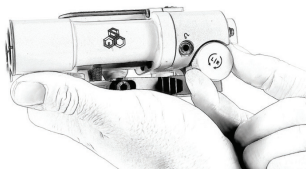
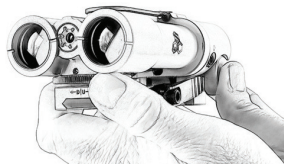
SETTING UP REMOTE PRESSURE PAD *(OPTIONAL)*

Plug the wire of the remote pressure pad into the side of the unit, then train the wire along the side of the rail, ensuring that it is out of the way of normal operation of the firearm.

NOTE: SWR has provided Velcro® style loop patches (hook patch not included) for ease of placement of the activation button.

Using Velcro® style loop patches or another preferred attachment method, place pad of the remote range button in any area that will be easily manipulated with minimal change of hand placement.

NOTE: The pad is redundant to the Power/Range button on the Radius unit. The button can be used even if the remote range pad is plugged in.



ZEROING THE RADIUS



Zero your firearm with your scope prior to zeroing the Radius. Make sure your scope is set to zero. The visible laser is not meant to act as an aiming device; it is intended to function as an aid when aligning the Radius to the firearm.

ADJUSTING THE VISIBLE LASER LOCATION Use the dials on the housing to "walk" the visible laser. When the Radius is seated on the top rail, the dial nearest the display end of the housing is for windage adjustment, while the front dial is for elevation. This will reverse if the Radius is mounted to the side rail.



STEP 1 The crosshairs on the zeroing target represent the center of your optic. Measure the distance from the center of your barrel to the center of your optic; make a mark on the provided zeroing target to note the location of the center of your barrel.

STEP 2 Measure the distance of the visible laser emission point to your barrel. Measure this same distance from the barrel mark you made on the target and place the retroreflective tape dot in this location.

See diagram on next page.

NOTE: If your Radius is mounted on top of your optic, simply measure the distance from the center of your optic to the visible laser emission point and place the retroreflective tape dot in the corresponding location on the target.

NOTE: Some states do not allow the use of a visible laser while hunting. In order for the Radius to be legally used in those states, the visible laser must be blocked. To do this, screw the included Laser Block into the visible laser emission point after you have zeroed the visible laser. It is the responsibility of the user to ensure compliance with all local laws and regulations.

ZEROING THE RADIUS (CONTINUED)



Your zeroing target should now have markings that are in the same location and orientation to each other as your barrel, scope, and Radius laser.

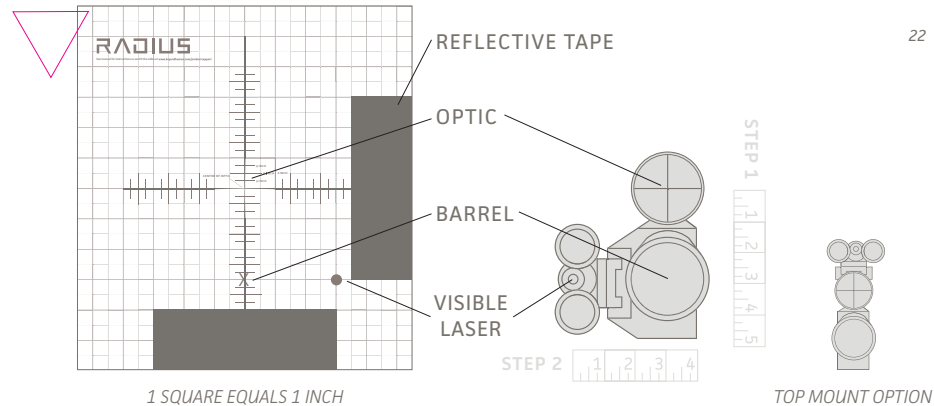
STEP 3 From any desired distance (SWR recommends from 20 yards to 100 yards), center your scope on the crosshairs of the zeroing target.

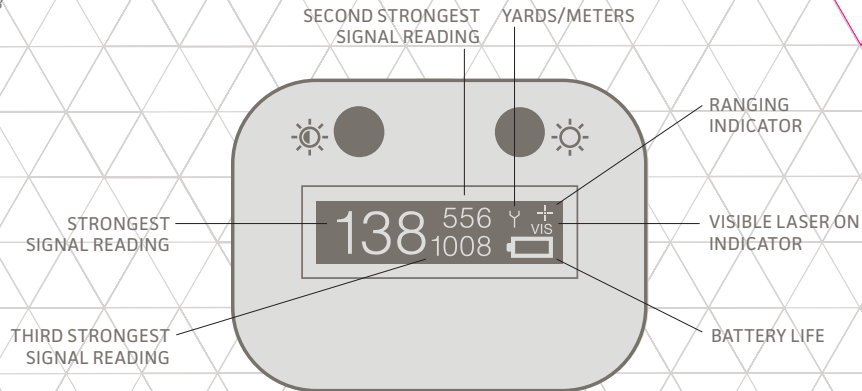
TIP: Apply the provided retroreflective tape on the corresponding locations on the target so you have a broader reflective area, making it easier to find the laser.

STEP 4 Turn the visible laser on and begin to “walk” the visible laser toward the small retroreflective dot previously marked on the zeroing target.

Once the laser reflects on the dot, your laser, optic, and barrel are parallel to each other.

Please visit www.beyondhuman.com/productsupport for our how-to video.





ACQUIRING RANGE READING

Press the power button or pressure pad once to display the range of your target. Press the power button or pad twice in quick succession for continuous ranging.

When the unit is in continuous ranging mode, you will see a cross flash in the top right corner of the display; continuous ranging results in one range reading per second. Press the power button or pad once to return to single ranging.

NOTE: Three numbers are shown on the display when ranging: the far left and largest reading is the strongest signal, while the other two readings are the second and third strongest signals.

NOTE: VIS icon shown on display when the visible zeroing laser is in use.

REPAIR & REPLACEMENT



Should the rangefinder require repair or modification, the owner should contact SWR either in writing or by telephone. Many problems can be handled without having to return the product. If it is determined that the product needs to be returned for repair or modification, contact SWR customer service **801-417-5384** or by email at **info@silencerco.com** where an RMA number will be provided. Do not return the rangefinder to SWR until you have contacted customer service as an RMA code must be provided.

If repairs are required due to a defect in manufacturing or materials, there will be no charge for repairs. Subject to any restrictions set forth herein, SWR agrees to replace and/or repair the Radius for an unlimited amount of time. This warranty covers repair, service, and replacement of damaged product caused by normal use, free of charge, only if performed at an SWR facility.



Should the rangefinder require repair, the owner must contact SWR and make arrangements to return the product. Customer must return damaged product with a legible written description of the problem, defect, and/or malfunction. Please include in written description the serial number of the product and the events leading up to the issue, including any host weapons that have been used.

If SWR determines, at its sole and absolute discretion, that a returned rangefinder is not covered under this warranty, for any reason, you may purchase a replacement product at 75% off the suggested retail price.

LIMITED LIFETIME WARRANTY



Limitations to warranty: This warranty does not cover damage to the rangefinder or the host firearm resulting from careless or irresponsible handling, adjustments, or modifications to its design, negligence, or other abuse. SilencerCo assumes no liability whatsoever for unsafe use of the rangefinder or illegal use by its purchaser or any other person that comes in contact with the product after purchased.

SilencerCo assumes no responsibility for physical injury or property damage resulting from careless or irresponsible handling and/or use, or by any use contrary to the recommendations, warnings, and cautions generally listed in this manual.

DISCLAIMER



The manufacturer is not responsible for improper usage of this product. This product is potentially dangerous, and as such, it is the user's responsibility to understand and implement its proper use. If you do not understand the instructions in this manual, please contact the manufacturer for further clarification at **801-417-5384**

Subject to any restrictions set forth herein, SilencerCo agrees to replace and/or repair the Radius for an unlimited amount of time. This warranty covers repair, service, and replacement of damaged product caused by normal use, free of charge, only if performed at a SilencerCo facility.

Visit **www.beyondhuman.com/productregistration** to activate your lifetime warranty. Should you have any questions, please contact Customer Service at **info@silencerco.com** or **801-417-5384**

REGISTER YOUR PRODUCT FOR A
FREE SWR TEE

VISIT [BEYONDHUMAN.COM/PRODUCTREGISTRATION](https://beyondhuman.com/productregistration)

While supplies last



Two pink inverted triangles are positioned above the main text.

BEYOND HUMAN

/SWRBEYONDHUMAN



@SWRBEYONDHUMAN

